

GEZE Perlan 140 clip-on cover 100

The clip-on cover 100 with a total height of 111 mm makes the visually attractive covering of the fitting technology below possible. Attachment is simple and safe using plastic clips which guarantee the cover panel is held reliably. Different distances to the track are possible for glass and wooden doors. For glass doors, the clip-on cover is clipped directly into the track, for wooden doors additional spacer brackets which are screwed to the track are used.

Since the clip-on cover manages to keep the gap seen from below very small for glass doors, it can also be used for thick wooden doors.



APPLICATION RANGE

- For covering GEZE sliding fittings Perlan 140
- For wall and ceiling installation
- For internal application
- For wooden, plastic, glass and metal leaves

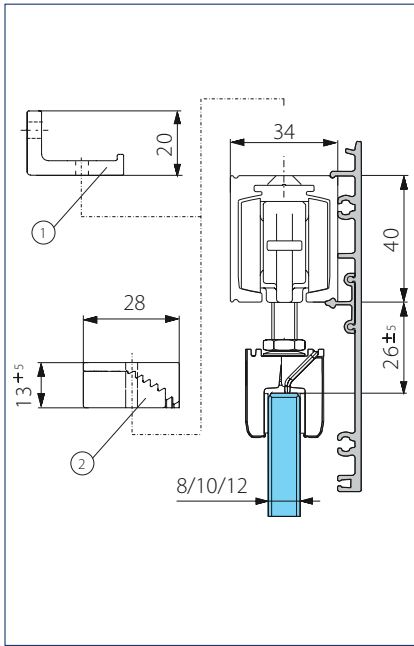
TECHNICAL DATA

Product features	GEZE Perlan 140 clip-on cover 100
Leaf material	Wood, plastic, metal, glass
Type of installation	Wall installation, ceiling installation
Telescope	•
Automated	•
Fixed panel	•

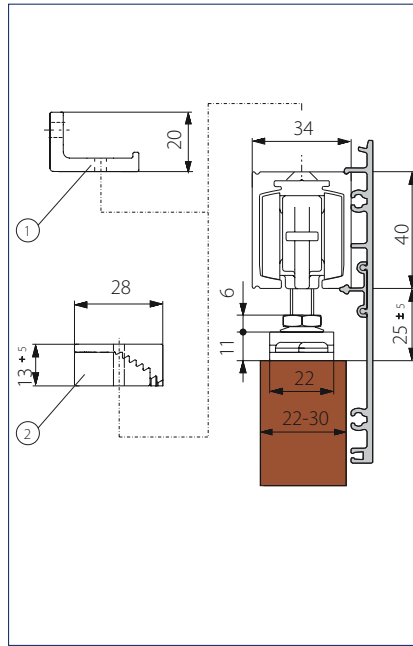
• = yes

GEZE PERLAN 140 CLIP-ON COVER 100

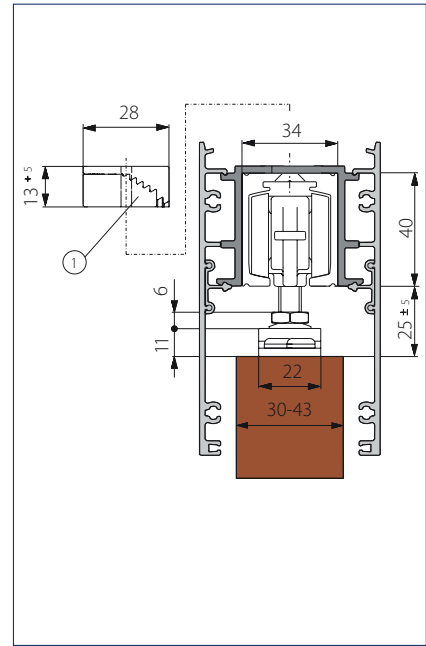
CROSS-SECTION DRAWINGS



Wall / ceiling mounting glass with glass clamping plate 30 and clip-on cover 100
 FH = Leaf height
 1 = Wall bracket
 2 = Height compensation mechanism



Wall / ceiling mounting glass with clip-on cover 100
 1 = Wall bracket
 2 = Height compensation mechanism



Wall / ceiling mounting wood with spacer bracket and clip-on cover 100
 1 = Wall bracket
 2 = Height compensation mechanism

ORDER INFORMATION

Description	Length	Version	ID No.
Complete clip-on cover set 100 For wall and ceiling mounting, continuous cover, bespoke according to customer wishes			138098
Accessories			
Clip-on cover 100 profile For wall and ceiling mounting, continuous cover	1650 mm	EV1	137602
	2050 mm	EV1	137603
	2450 mm	EV1	137604
	6230 mm	EV1	137606
	1650 mm	stainless steel optic	137608
	2050 mm	stainless steel optic	137609
	2450 mm	stainless steel optic	137611
6060 mm	stainless steel optic	137613	
Clip-on cover 100 profile For wall and ceiling mounting, continuous cover, bespoke, choice of finishes			137614
Set of end covers clip-on cover 100 2 pcs., narrow version, for use without spacer bracket		EV1	137865
		stainless steel optic	137867
		according to RAL	137869
Set of end covers clip-on cover 100 2 pcs., wide version, for use with spacer bracket		EV1	137864
		stainless steel optic	137866
		according to RAL	137868
Clip-on cover set 100 spacer bracket 6 pcs., enlarges the distance at the side of the clip-on cover by 7.5 mm at each side For use with Perlan AUT-NT as well as for wing thicknesses from 30mm			137754
Clip-on cover set 100 plastic clip 10 pcs., for the direct attachment of the clip-on cover 100 on the track or the spacer brackets			137863
Height compensation mechanism /ceiling spacer set, with variable adjustment 6 pcs., height compensation mechanism with variable adjustment from 13 mm to 18 mm. For use for ceiling mounting using clip-on cover 100/145 as well as for general use on uneven ceilings			138099